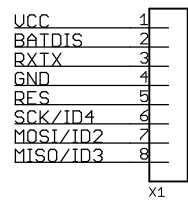
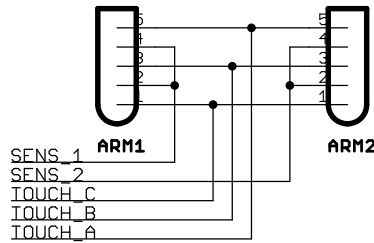


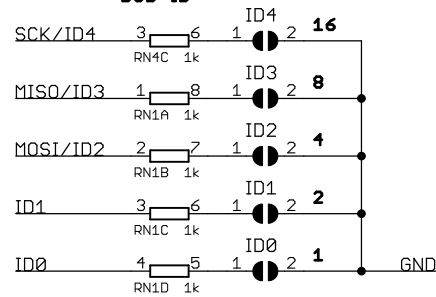
PROGRAMMER INTERFACE



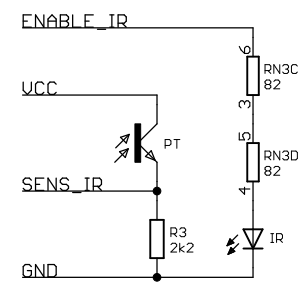
TOUCH-SENSOR



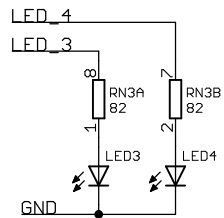
BOB-ID



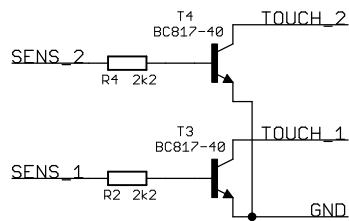
IR-SENSOR



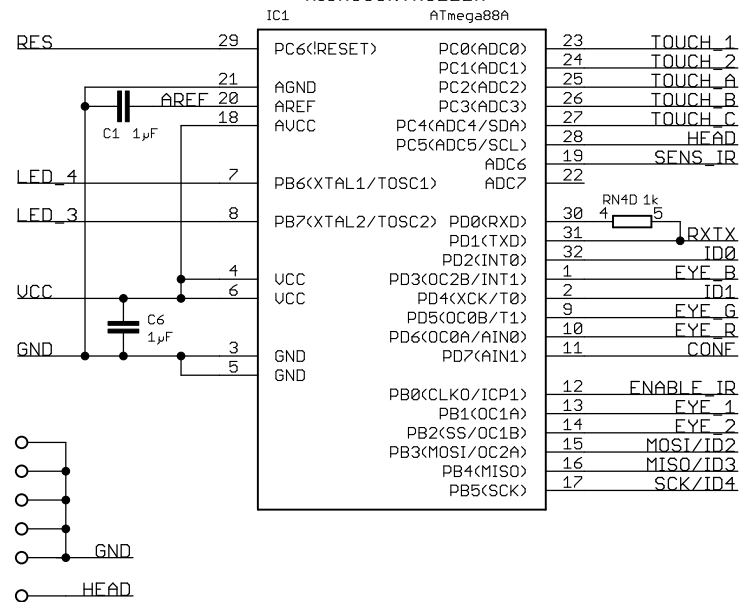
WHITE-LEDS



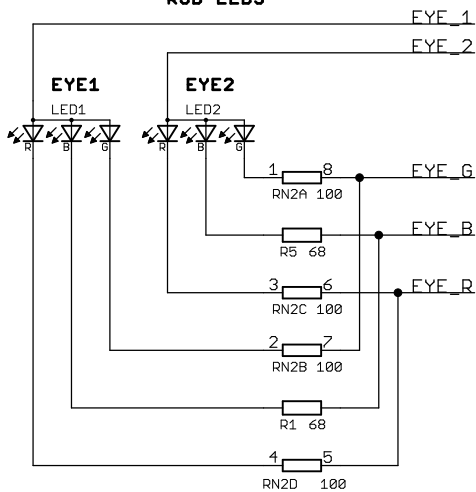
TOUCH-AMPLIFIER



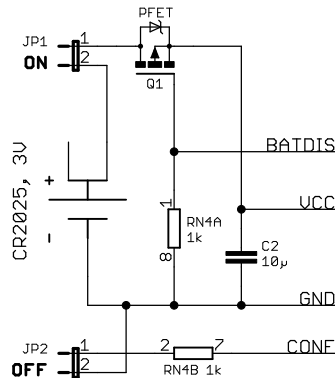
MICROCONTROLLER



RGB-LEDS



BATTERY SUPPLY



Project: BOB3-THT		REV: V1.5
BOB3-THT Robot Unit		
MCU, Sensors, LEDs and Power		
Info: http://www.bob3.org		HTTPS://Q.NICA1.EU/
Engineer: Nils Springob		K7R9T
Date: 15.05.26 13:51		Sheet: 1/1